

YMC Pilot Glass Columns - Overview



YMC Pilot columns are designed for use in pilot and production scale applications with organic solvents or aqueous buffers.

Advantages:

- Full resin compatibility
- Easy to operate
- Customize to meet your needs

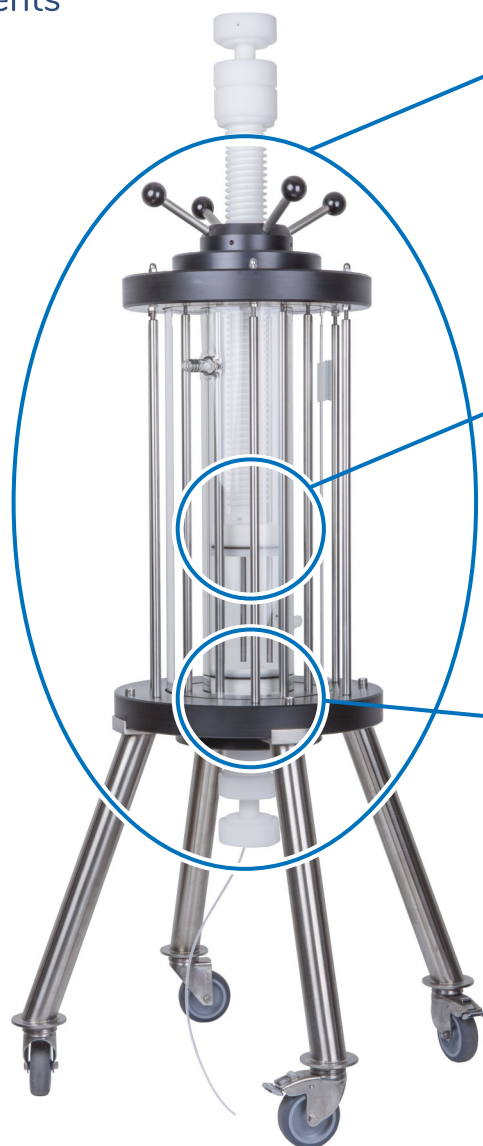
Specifications

Area of application	Pilot scale purifications
Inner diameters	100, 140, 200, 300mm*
Bed lengths	500, 850mm*
Versions	AB (Aqueous buffer) SR (Solvent resistant)
Temperature range	4-40° C
Packing adaptor	Available
Heating/cooling jacket	Optional, available
Column stand	Included, swivel stand available

* Customization possible

Pressure Resistance

ID (mm)	100	140	200	300
Pressure limit (bar)	10	7	5	3



Available Customizations

- ⇒ Heating/cooling jackets for temperature sensitive applications
- ⇒ Swivel stands for easy unpacking
- ⇒ Additional column dimensions



Reliable sealing:

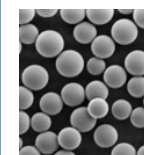
Compressed o-ring

- ⇒ Long lasting, high quality materials
- ⇒ Fast replacement
- ⇒ Easy piston adjustment



Fully porous frits

- ⇒ Optimum flow distribution
- ⇒ Excellent packing results
- ⇒ Different materials and porosities available



Full resin compatibility

- ⇒ Organic solvent resistant version (SR)
- ⇒ Biocompatible aqueous buffer version (AB)
- ⇒ Longer bed length range for SEC

YMC Pilot Glass Columns - Specifications



Inner diameter	100				140			
	500 mm		850 mm		500 mm		850 mm	
Version	AB	SR	AB	SR	AB	SR	AB	SR
Bed Length [mm]	70-420 ¹	20-430 ¹	420-770 ¹	310-780 ¹	70-410 ¹	20-440 ¹	420-760 ¹	330-790 ¹
Column Volume [L]	0.6-3.2	0.2-3.3	3.3-6.0	2.5-6.1	1.1-6.3	0.4-6.7	6.5-11.6	5.1-12.1
Pressure Limit [bar]	10	10	10	10	7	7	7	7
Temperature Range [°C]	4-40	4-40	4-40	4-40	4-40	4-40	4-40	4-40
Total Weight [kg]	19	27	23	31	34	42	42	51
Weight Adjustable End Piece [kg]	4	9	4	9	6	11	6	11
Weight Fixed End Piece [kg]	2	5	2	5	4	7	4	7
Footprint [mm]	450x420	450x420	450x420	450x420	480x440	480x440	480x440	480x440
Maximum Column Height [mm]	1,750	1,770	2,100	2,120	1,750	1,780	2,100	2,130

Inner diameter	200				300			
	500 mm		850 mm		500 mm		850 mm	
Version	AB	SR	AB	SR	AB	SR	AB	SR
Bed Length [mm]	90-430 ¹	20-460 ¹	440-780 ¹	360-810 ¹	20-390 ¹	80-450 ¹	330-740 ¹	430-800 ¹
Column Volume [L]	2.9-13.5	0.7-14.4	13.9-25.5	11.4-25.4	1.4-26.6	5.6-30.8	22.8-50.7	29.7-54.8
Pressure Limit [bar]	5	5	5	5	3	3	3	3
Temperature Range [°C]	4-40	4-40	4-40	4-40	4-40	4-40	4-40	4-40
Total Weight [kg]	49	67	59	77	83	126	96	139
Weight Adjustable End Piece [kg]	9	19	9	19	25	48	25	48
Weight Fixed End Piece [kg]	6	15	6	15	18	38	18	38
Footprint [mm]	600x500	600x500	600x500	600x500	650x550	650x550	650x550	650x550
Maximum Column Height [mm]	1,800	1,830	2,150	2,180	1,920	1,830	2,270	2,180

¹depending on packing material and packing method

Solvent	AB Version	SR Version
Acetone	Not resistant	Resistant
Acetonitrile	Limited resistant	Resistant
Ammonium dihydrogen phosphate	Resistant	Limited resistant
Cyclohexane	Not resistant	Resistant
Dichloromethane	Not resistant	Resistant
0.1 M EDTA (3%)	Resistant	Resistant
1 M Acetic acid (6%)	Resistant	Limited resistant
Ethanol	Resistant	Resistant
Ethyl acetate	Limited resistant	Resistant
n-Hexane	Not resistant	Resistant
Isopropanol	Resistant	Resistant
Methanol	Resistant	Resistant
2 M NaOH (8%)	Resistant	Limited resistant
1 M HCl (4%)	Resistant	Not resistant
8 M Urea (36%)	Resistant	Resistant
1 M NaCl	Resistant	Limited resistant
0.5 M Na ₂ SO ₄	Resistant	Limited resistant

Not resistant
Limited resistant
Resistant



View the complete YMC Pilot brochure for more detailed information.



Scan the QR code above or go to www.ymc-america.com/resource/ymc-pilot-glass-columns/